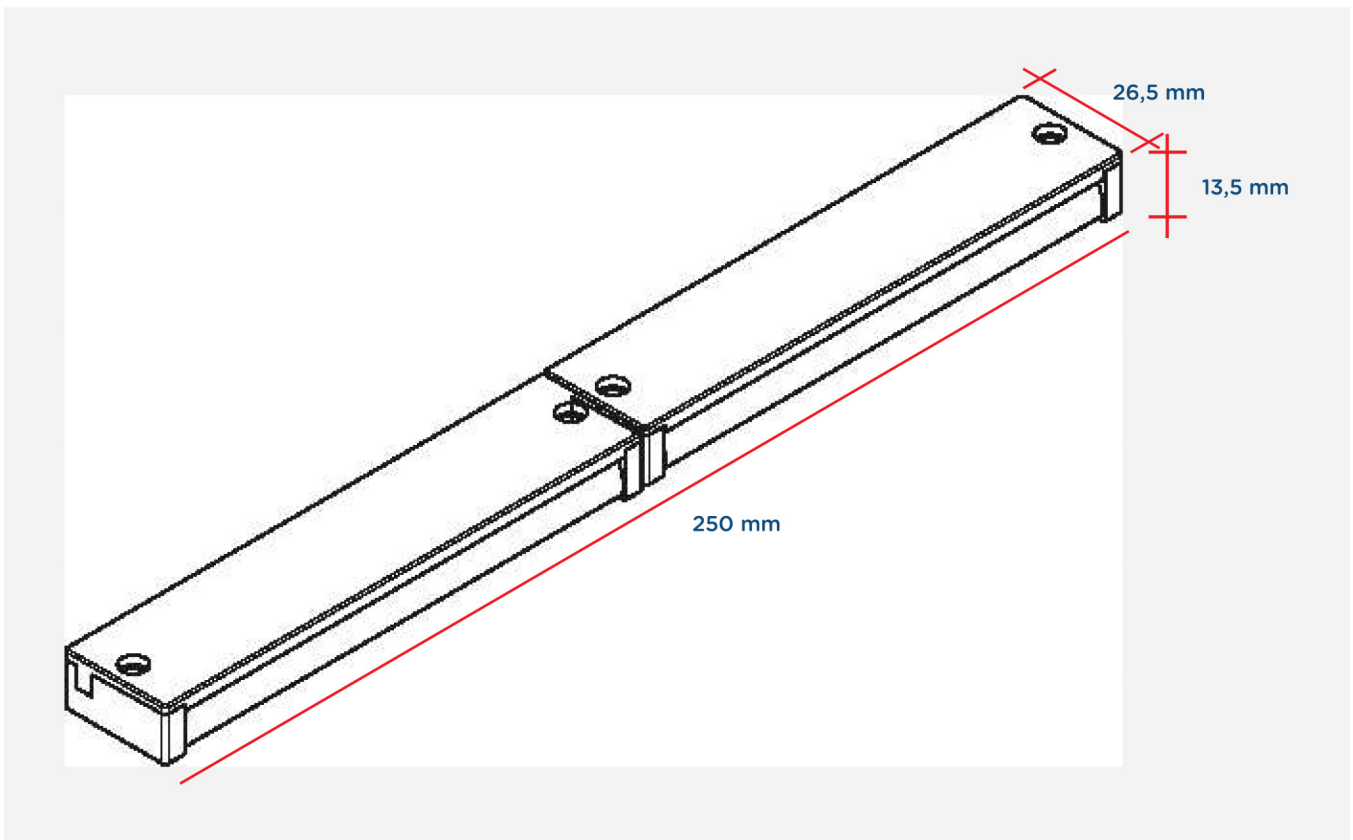


Installation instructions for Regel-air® FFLHA Type 23 Window rebate vents for wood-aluminium windows for systems with centre gasket in window frame



The Regel-air® window rebate vent Type 23 FL is generally installed as a pair (= 2 individual vents) in the window frame or transom. For vertical installation, use Type 23 RF.

A pair of vents is 26.5 mm deep, 13.5 mm high and 250 mm wide.

Type FL is installed in the top frame rebate. Type RF (with return spring) can also be installed in the vertical frame rebate.

Installation

Mill the window frame or transom bar in the area of the vent in accordance with the dimensions and the drawings overleaf. Install the vent so it is flush with the window frame on the inside. The sash overlap must be a close fit with the vent floor.

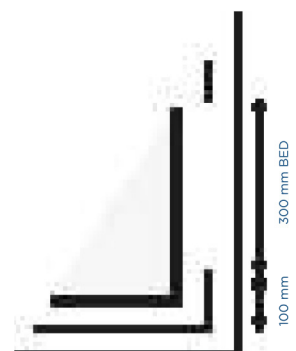
Detach the window frame gasket(s) in the area in front of the vent modules. If an inner sash overlap gasket is present, detach it opposite the vent.

Mill the mounting ridge in that area to the depth of the gasket groove, if this protrudes into the air outlet area of the vent modules.

If no gasket is present, the sash overlap must be milled to a depth of 3 mm in the vent area to facilitate air passage.

⚠ **Appropriate wood protection treatment is mandatory on all milled areas.**

The aluminium shell must generally be equipped with a gasket level. Here, the air supply enters in the lower vertical area where the gasket is detached on both sides over a length of 300 mm, starting 100 mm from the lower edge (see illustration).



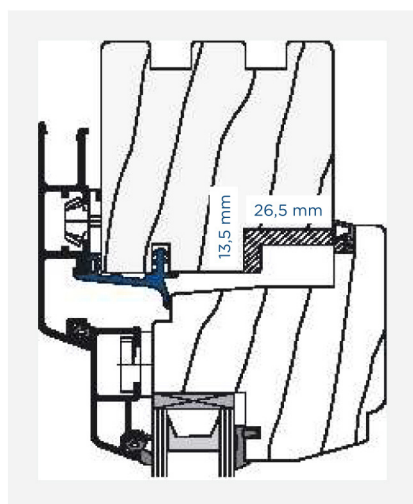
Installation instructions for Regel-air® FFLHA Type 23 Window rebate vents for wood-aluminium windows with window frame gasket

⚠ **The drainage of the rebate area must be ensured.**

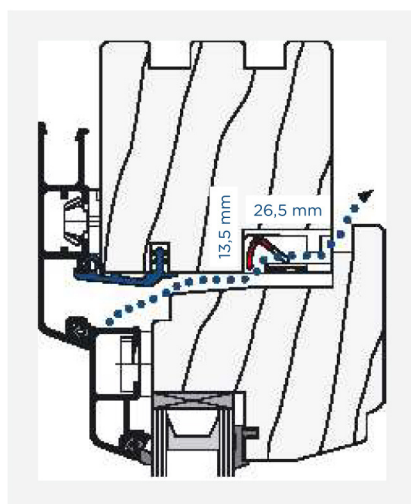
For increased noise insulation requirements, an inner sash overlap gasket is always required. In addition, direct ventilation channels should be avoided for noise insulation. Individual tests for the respective systems may be required.

⚠ **In wood-aluminium windows, the Regel-air® window rebate vents can only be used as external air apertures in combination with permanently operated fan-assisted exhaust air systems.**

⚠ **Not suitable for sill systems.**



Milling diagram for FFLHA
Type 23



FFLHA Type 23 installed
(open flap)